

HT1 SERIES

High Output LED Troffer

High output LED fixtures with a recessed troffer design and high bay performance. The HT1 Series are designed for high ceiling applications that require superior lumen output, ultra-long life, high quality of light and beautiful aesthetics. Available in 2x4 and 2x2 form factors.

APPLICATIONS: Automotive Showrooms, Big Box Retailers, Convention Centers, Schools, Universities, Indoor Sports, and Warehouses.

Project Name	
Date	
Cat. Number	
Type	



See page 3 for more information



Nominal Lumens	Form Factor	Lumen Output ²	Efficacy	Watts	Part Number
12000	2x2	12207	133	92	HT10S-A1-12K-22-50-80-FR-LV-GRID-10V
12000	2x4	12207	133	92	HT10S-A1-12K-24-50-80-FR-LV-GRID-10V
18000	2x2	18133	138	131	HT10S-A1-18K-22-50-80-FR-LV-GRID-10V
18000	2x4	18538	151	123	HT10S-A1-18K-24-50-80-FR-LV-GRID-10V
24000	2x4	24112	129	187	HT10S-A1-24K-24-50-80-FR-LV-GRID-10V

²Typical (±10%) at 277V (LV), 25°C, 4000K/5000K, Frosted Lens, CRI 80+

FEATURES & SPECIFICATIONS

- Environment:** Dry/Damp, for interior applications (IP4X). Non IC rated.
- Ambient Range Operation:** -40°C up to 45°C (-40°F to 113°F).¹
- Lenses:** Frosted acrylic.
- Power Supply Access:** Easy access from the top of the fixture.
- Mounting Options:** Fixture is able to be mounted in a standard drop/grid ceiling and also has holes for attaching cables. Non IC rated.
- LED:** 3500K, 4000K and 5000K standard, 80CRI (standard). Other CCTs and CRIs available upon request.
- Warranty:** 5-year standard including guaranteed L70, up to 10-year optional, also available a 10-year warranty on ES40P fixtures including labor, see Accessories.

PROJECTED LUMEN MAINTENANCE

TM-21 from initial lumens (based on 24/7 operation)

Ambient	Year 1	Year 5	Year 10	L70 (calculated)
25°C	99.64%	95.13%	89.78%	278,000 hours
45°C	99.30%	93.70%	87.14%	222,000 hours

POWER & CONTROL

- Power input:** 120-277V (50/60Hz).
- Dimming:** 0-10V standard. Capable of dimming down to 10%.
- Power Factor:** Greater than 0.9 (0.96-0.99 typical).
- Total Harmonic Distortion:** Less than 20%, 10% typical.
- Occupancy Sensors:** Optional - factory installed photocell sensors for motion and daylight harvesting.¹²
- Emergency Battery Backup:** Initial lumen output is 2200-2400 lumens, thereafter EMB produces 1900-2000 lumens for a minimum of 90 minutes. 16 watts initial output. Temperature range 0°C to 45°C.

ORDERING EXAMPLE

Base Fixture: HT10S-A1-24K-24-50-80-FR-LV-GRID-10V

Base Fixture with Options: HT10S-A1-24K-24-50-80-FR-LV-GRID-EMB-CTRL-10V

DLC Number: HT10S-A1-24K-24-50-80-FR-LV-GRID-{xxx}-10V

SELECT ONE		SELECT ONE	SELECT ONE	FR	LV
Series-Compliance-Model-Frame		Color Temp ⁴	CRI	Lens	Voltage
2x2	2x4	35 ¹⁰ 3500K	80 (Standard)	FR Frosted Lens, Wide Distribution	LV 120-277V
HT10S-A1-12K-22 12K lumens	HT10S-A1-12K-24 12K lumens	40 4000K	90 ⁴ (Extended Lead Time)		HV 347-480V
HT10S-A1-18K-22 18K lumens	HT10S-A1-18K-24 18K lumens	50 5000K	Other CRI available upon request ⁷		
	HT10S-A1-24K-24 24K lumens	Other CCT available upon request			

SELECT ONE IF APPLICABLE, IF NONE, LEAVE BLANK, MOVE TO OPTION

SELECT AS MANY AS APPLICABLE, SEPARATE EACH WITH "-". IF NONE, LEAVE BLANK, MOVE TO DIMMING

GRID	Occupancy Sensors - No OCC sensor (Standard)		Option ⁴	10V
Mounting				Dimming
GRID⁵ Standard mounting for grid ceilings. Safety and Cable mounting optional, see Accessories.	OCC8^{4,11,12,13} WattStopper Occ Sensor, on/off, with photocell, 8' mounting height OCCDIM8^{4, 6,11,12,13} Programmable WattStopper Occ Sensor, dimmable, with photocell, 8' mounting height MOCCDIM8^{4,11,12,13} WattStopper OCC Sensor, manual set and photocell, dimmable, 8' mounting height OCC20^{4,11,12,13} WattStopper Occ Sensor, on/off, with photocell, 20' mounting height TOCC20^{4,11,12,13} IR-TEC OCC Sensor, on/off, w/ photocell, 20' mounting height OCCDIM20^{4, 6,11,12,13} Programmable WattStopper Occ Sensor, dimmable, with photocell, 20' mounting height	MOCCDIM20^{4,11,12} WattStopper Occ Sensor, manual set and photocell, dimmable, 20' mounting height OCC40^{4,11,12} WattStopper OCC Sensor, on/off, w/ photocell, 40' mounting height TOCC40^{4,11,12} IR-TEC OCC Sensor, on/off, w/ photocell, 40' mounting height OCCDIM40^{4,6,11,12} WattStopper OCC Sensor, dimmable, w/ photocell, 40' mounting height MOCCDIM40^{4,11,12} WattStopper OCC Sensor, manual set and photocell, dimmable, 40' mounting height	EMB^{1, 4,7} Battery Back-Up for emergency lighting CTRL^{4, 7, 9} Fixture installed EnOcean Control Module, 120-277 Wire-in Relay, 16A, 0-10V SRG⁴ Fixture Installed Surge Protector, 10kA CTRLR^{4, 7, 8} Control Ready Harness QDC⁴ Driver Quick Disconnect	10V 0-10V Interface (Standard)

When submitting for utility incentives and rebates, please use catalog numbers

When ordering OPTIONS, separate each option with a "-". Catalog number always ends with dimming selection "10V"

ACCESSORIES

Must be ordered separately. Packaged separately.

Type	Part Number	Description
Safety Kit	SAFETYCABLE	Kit includes (one) 5 ft. aircraft cable with single snap hook, L-bracket, screw and nut. For use with all mounting options.
Cable Kit	CABLEKIT	Kit includes (two) 10 ft. aircraft "Y" cables and snap hooks (one pair).
Drywall Kit 2x2	DK22	Drywall trim kit for 2x2 troffers.
Drywall Kit 2x4	DK24	Drywall trim kit for 2x4 troffers.
Wireless Programmer for Dimmable Occupancy Sensor(s)	OCCDIMPROG	Hand held wireless programmer for setup OCCDIMXX dimmable occupancy sensors. Required with OCCDIMX selection.
EnOcean Controls (for use with EnOcean control module, CTRL)		
Single Rocker	ENSR	EnOcean Control Single Rocker
Double Rocker	ENDR	EnOcean Control Double Rocker
Wall Occupancy Sensor	ENWLOCC	EnOcean Control Wall OCC
Ceiling Occupancy Sensor	ENCLOCC	EnOcean Control Ceiling OCC
Ceiling Daylight Sensor	ENDAY	EnOcean Control Daylight Sensor
Software	ENSFT	EnOcean Control Navigan Commissioning Software

WARRANTY UPGRADES

Type	Part Number	Description
7-Year Extended Warranty	FLS-EXTENDED-WARRANTY-7	Extends coverage for parts for a total of 7 years
10-Year Extended Warranty	FLS-EXTENDED-WARRANTY-10	Extends coverage for parts for a total of 10 years
10-Year Premium Warranty	10PREMIUM	10-year coverage for parts, lumen maintenance (L70) and labor reimbursement of \$300 per fixture

END NOTES

1. EMB fixtures (0°C to 45°C), LV (120-277) only. Temperatures below -20°C have limited switch cycles, consult factory.
2. Typical at 277V (LV) and (25°C), 5000K, Frosted Lens, +/-10%. Typical CRI 80+.
3. Dimensions listed are for the fixture only. See dimensional drawings for measurements with mounting hardware. Weights are approximate and vary by model, if weight is a concern, please contact factory. Weight changes when battery backup is added.
4. Optional add-on. See price list for pricing.
5. Optional CABLEKIT ordered separately. See ACCESSORIES.
6. Wireless programmer required for final field setup. See ACCESSORIES.
7. Consult factory for orders requiring EMB, CTRL and CTRLR.
8. CTRLR includes 5 wires, capped off inside of fixture for use with field installed controls.
9. CTRL additional accessories required for full functionality. 120-277V (LV) only. For HV options, please consult factory. See ACCESSORIES for available add-on options.
10. 3500 CCT not DLC qualified
11. Settings for Sensors from Factory--
OCC (LV and HV) - If no movement for 15 mins, OFF
TOCC - If no movement for 10 mins, OFF
OCCDIM - If no movement for 5 mins, dim to 10%, if no movement for 60 mins, OFF
MOCCDIM - If no movement for 15 mins, dim to 10%, if no movement for ~8 mins, OFF. The photocell is disabled from the factory.
12. Only OCCDIM8, OCCDIM20 and OCCDIM40 are available with HV option.
13. SRG (10kA protection) is standard option on all HV fixtures.

LUMEN AMBIENT TEMPERATURE FACTOR

Ambient Temp.	35°C	40°C	45°C
Lumen Multiplier	0.99	0.98	0.98

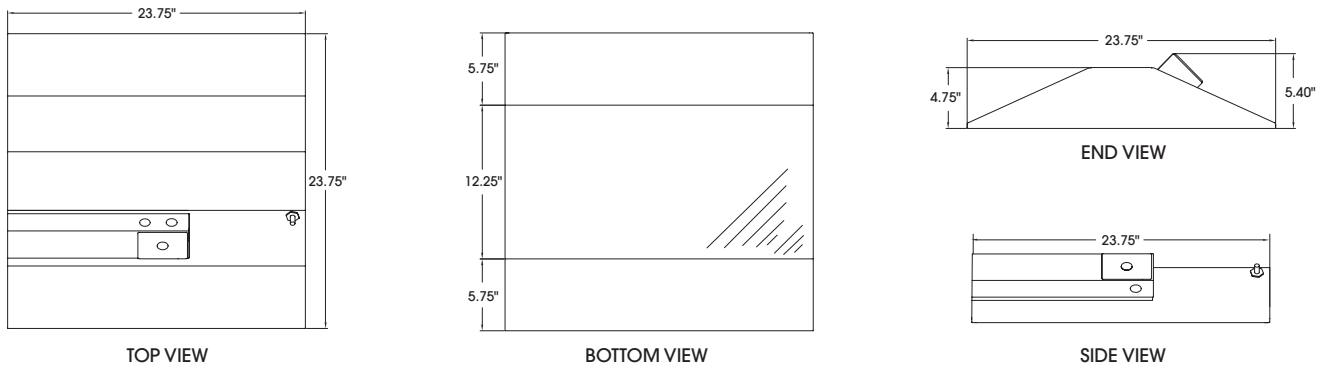
DIMENSIONS & DRAWINGS

Model	Length (in)	Width (in)	Height (in)	Weight (lb)
2x2	23.75	23.75	5.4	11.4
2x4	47.75	23.75	5.4	17.6

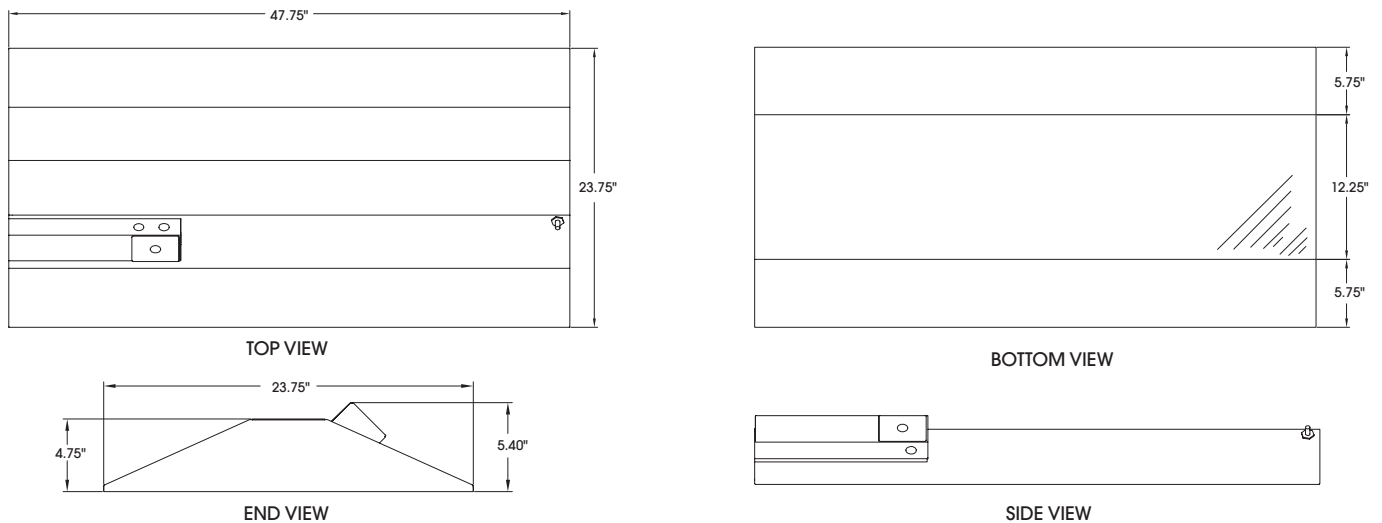
LISTINGS & CERTIFICATIONS

- ETL listed (UL 1598)
- RoHS Compliant
- DLC Premium (pending)
- CSA.22.2
- EMI: Title 47 CFR 15 Class A, ICES-005:2009
- LM-79, LM 80 and TM-21 tests and reports are performed in accordance to IESNA standards, per TM-21

2X2



2X4





Flex Lighting Solutions

(+1) 913-851-3000

lighting@flex.com

www.flexlightingsolutions.com

7320 W 162nd St.

Overland Park, KS

66085, USA

7825 Ridgepoint Dr.

Irving, TX

75063, USA

6201 America Center Dr.

San Jose, CA

95002, USA

All specifications subject to change without notice. Please see www.flexlightingsolutions.com for latest information. All values are typical or design values and series averages. Actual performance may differ as a result of end-user environments and applications. Consult Flex Lighting Solutions with specific inquiries. Copyright © 2020, Flex. All rights reserved. No part of this document may be reproduced in any form without the prior written permission of Flex.