

TR1 SERIES

Indoor LED Troffer

The TR1 Series provides a soft natural glow and uniform illumination that minimizes glare. Featuring a pre-mounted driver with high-efficiency and a maintenance-free LED chamber to deliver high performance over a long time.

The TR1 Series is available in 1x4, 2x2, or 2x4 configurations, being an easy-to-install upgrade from linear fluorescent lighting to a long-lasting, energy-efficient LED solution.

APPLICATIONS: Schools, Universities, Hospitals, Offices, Retail, Airports, and other interior applications where general-purpose ambient lighting is required.

Project Name	
Date	
Cat. Number	
Type	



Nominal Lumens	Size	Lumen Output ²	Efficacy	Watts	Part Number
3000	1x4	3200	126	25	TR10S-A4-03K-14-40-80-FR-LV-GRID-10V ⁶
3000	2x2	3200	125	25	TR10S-A4-03K-22-40-80-FR-LV-GRID-10V
4000	2x4	4200	120	35	TR10S-A4-04K-24-40-80-FR-LV-GRID-10V
5000	2x4	5200	130	40	TR10S-A4-05K-24-40-80-FR-LV-GRID-10V

²Typical at 277V (LV) and (25°C), 3500K CCT, Frosted Lens, +/-10%. Typical CRI 80+.

FEATURES & SPECIFICATIONS

- **Environment:** Dry/Damp, for interior applications.
- **Ambient Operating Temperature:** Min: 0°C to Max 25°C¹
- **Construction:** Durable steel construction with powder coat finish.
- **Lenses:** PC frosted lens. No hot-spots or shadows providing high uniformity, and reduced glare.
- **Power Supply Access:** Easy access from the bottom of the fixture.
- **Mounting Options:** Fixture is able to be mounted in a standard drop/grid ceiling and also has holes for attaching cables. IC rated. Mounting holes provided for seismic wire.
- **LED:** 3500K and 4000K standard, 80CRI.
- **Warranty:** 5-year standard.

PROJECTED LUMEN MAINTENANCE

TM-21 from initial lumens

Ambient	L70 (calculated)
25°C	50,000 hours

POWER & CONTROL

- **Power input:** 120-277V (50/60Hz).
- **Dimming:** 0-10V dimming standard. Capable of dimming down to 10%.
- **Power Factor:** Greater than 0.9 (0.96-0.99 typical).
- **Total Harmonic Distortion:** Less than 20%, 10% typical.
- **Emergency Battery Backup:** Factory installed options available. Provides 1400lm for 90 minutes.

ORDERING EXAMPLE

Base Fixture: **TR10S-A4-04K-24-40-80-FR-LV-GRID-10V**

Base Fixture with Options: **TR10S-A4-04K-24-40-80-FR-LV-GRID-EMB-10V**

SELECT ONE	SELECT ONE	SELECT ONE	FR	LV
Series-Compliance-Model-Size	Color Temp	CRI	Lens	Voltage
TR10S-A4-03K-14 TR10S-A4-03K-22 TR10S-A4-04K-24 TR10S-A4-05K-24	35 ^{2,6} 3500K 40 4000K	80 (Standard) Other CRI available upon request	FR Frosted Lens, Wide Distribution	LV 120-277V

GRID	SELECT ONE IF APPLICABLE, IF NONE, LEAVE BLANK, MOVE TO OPTION	SELECT ONE IF APPLICABLE, IF NONE, LEAVE BLANK, MOVE TO DIMMING	10V
Mounting	Occupancy Sensors / Control Options⁶	Option⁴	Dimming
GRID ⁵ Standard mounting for grid ceilings. Safety and Cable mounting optional, see Accessories.	CTNLC ⁶ Factory installed Enlighted sensor. Contact factory for details.	EMB ^{1,3,4,6} Battery Back-Up for emergency lighting.	10V 0-10V Interface (Standard)

When submitting for utility incentives and rebates, please use catalog numbers

When ordering OPTIONS, separate each option with a "-". Catalog number always ends with dimming selection "10V"

ACCESSORIES

Must be ordered separately. Packaged separately.

Type	Part Number	Description
Safety Kit	SAFETYCABLE	Kit includes (one) 5 ft. aircraft cable with single snap hook.

LISTINGS & CERTIFICATIONS

- UL Listed, DesignLights™ Consortium Approved
- Meets FCC Part 15B:2016 Class B requirements
- LM-79, LM 80 and TM-21 tests and reports are performed in accordance to IESNA standards, per TM-21

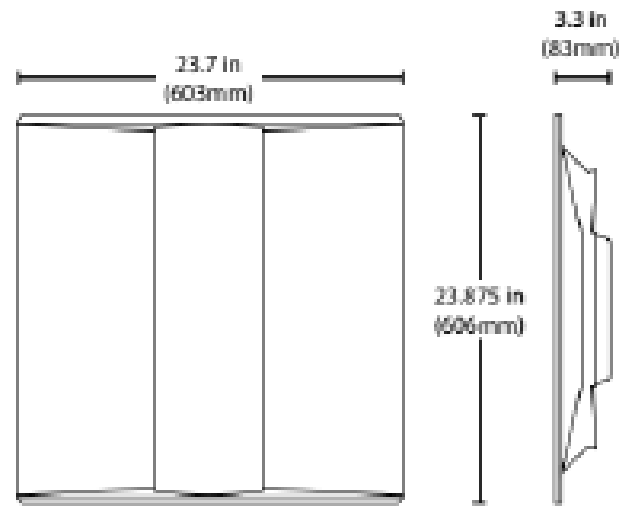
END NOTES

1. EMB fixtures (0°C to 38°C), not to exceed the max ambient of the fixture. Temperatures below 0° have limited switch cycles, consult factory.
2. Typical at 277V (LV) and (25°C), 3500K CCT, +/-10%. Typical CRI 80+.
3. Dimensions listed are for the fixture only. See dimensional drawings for measurements with mounting hardware. Weights are approximate and vary by model, if weight is a concern, please contact factory. Weight changes when battery backup is added.
4. Optional add-on. See price list for pricing.
5. Optional SAFETYCABLE ordered separately. See ACCESSORIES.
6. Extended lead time. Contact factory.

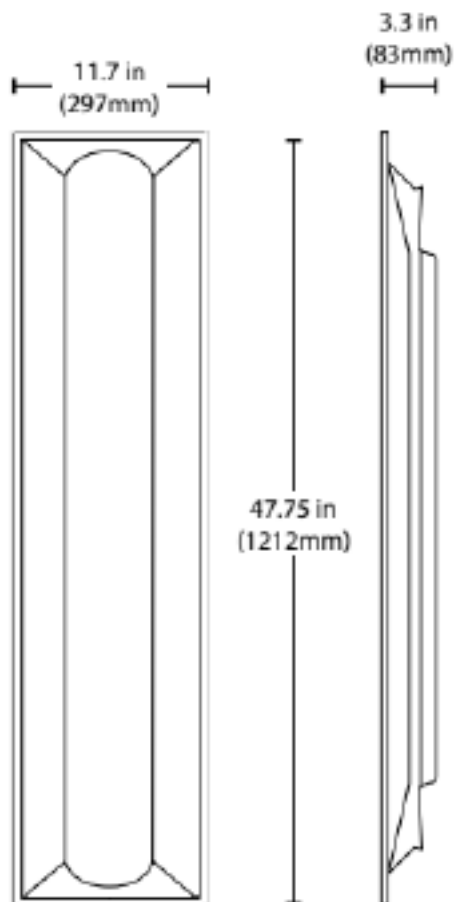
DIMENSIONS & DRAWINGS³

Model	Length (in)	Width (in)	Depth (in)	Weight
1x4	47.75	11.7	3.3	7 lbs
2x2	23.88	23.75	3.3	7 lbs
2x4	47.75	23.75	3.3	13 lbs

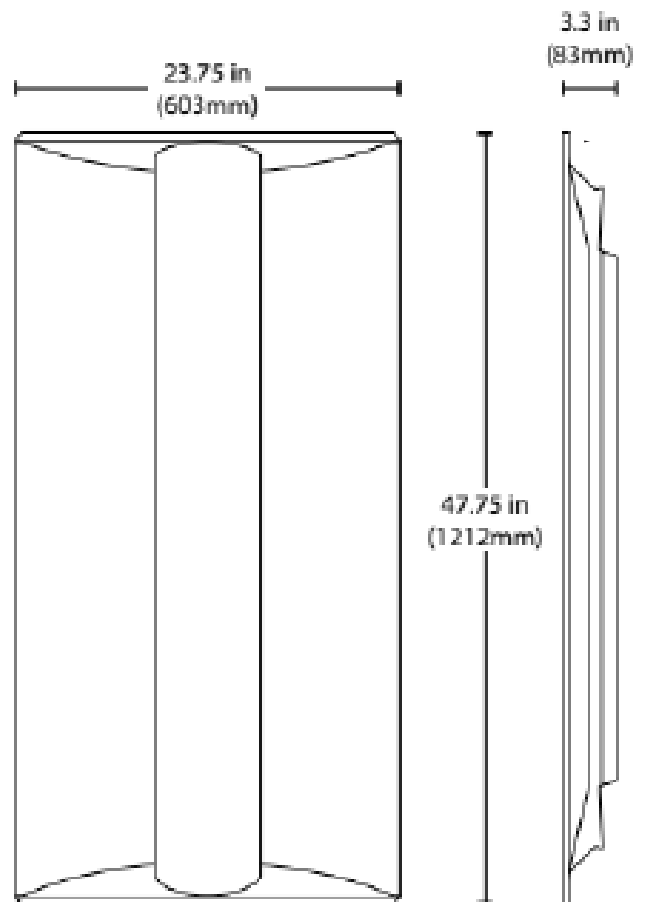
2X2



1X4



2X4





Flex Lighting Solutions

(+1) 913-851-3000
lighting@flex.com
www.flexlightingsolutions.com

7320 W 162nd St.
Overland Park, KS
66085, USA

7825 Ridgepoint Dr.
Irving, TX
75063, USA

6201 America Center Dr.
San Jose, CA
95002, USA

All specifications subject to change without notice. Please see www.flexlightingsolutions.com for latest information. All values are typical or design values and series averages. Actual performance may differ as a result of end-user environments and applications. Consult Flex Lighting Solutions with specific inquiries. Copyright © 2020, Flex. All rights reserved. No part of this document may be reproduced in any form without the prior written permission of Flex.